



**Function :**

- Economical link between two coaxial shafts. These shafts can have the same or a different diameter.
- Small bulkiness.
- It makes synchronisation, indexing, and adjustment easier.

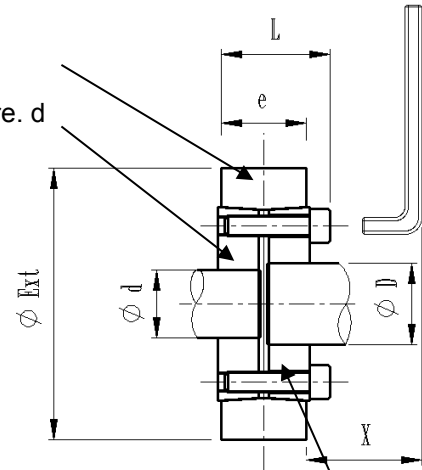
**General characteristics :**

- Material : middle steel XC38
- No temperature limit
- Easier installation and removal
- Shaft tolerance : h8

**Selection and technical characteristics :**

SCL coupling

SCL bush, bore. d



SCL bush, bore D

<b>SELECTION</b>							
Select the coupling following the torque transmitted by the small shaft. d. Maxi torque ≤ Torque transmitted by the small shaft Ød							
40.25 SCL				65.45 SCL			
Ød	max. Torque (Nm)	max. Torque (Nm)	Axial Stress (N)	Ød	max. Torque (Nm)	max. Torque (Nm)	Axial stress (N)
19	116	195	3048		Screws type 8.8	Screws type 12.9	
20	122	205	3048				
24	146	246	3048				
25	152	257	3048				
28	171	288	3048				
30	183	308	3048				
35	213	360	3048	30	275	562	5550
	Screws Type 8.8	Screws type 12.9		35	321	656	5550
			38	349	712	5550	
			40	367	750	5550	
			42	386	787	5550	
			45	413	843	5550	
			48	441	899	5550	
			50	459	937	5550	
			55	506	1030	5550	





# RIGID COUPLING VECOBLOC® SCL

## GENERAL CHARACTERISTICS

88021 - 2 / 2

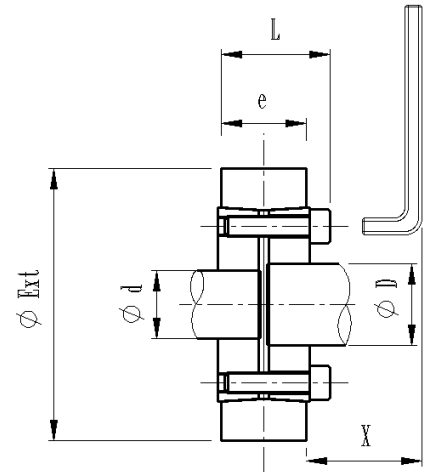
Fiche Technique - Technical Data Sheet



**COLMANT  
CUVELIER<sup>RPS</sup>**  
member of SANOK RUBBER GROUP

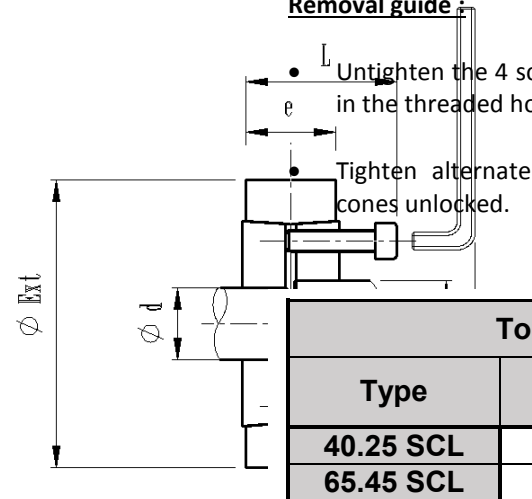
**02-2018**

Size	Pitch Ø	e	L	4 screws CHC	Key	Weight (kg)	I <sub>G</sub> (kg.mm <sup>2</sup> )	X : installation dimension
40.25 SCL	75	25	31	M6 × 25	5	0,8	562,5	39
65.45 SCL	113	45	53	M8 × 45	6	2,72	4341,5	39



reach the torque C

### Removal guide :



Type	To
40.25 SCL	
65.45 SCL	

